



Operating Manual

MODEL 994IML

Static Generator

Contents

Introduction	3
Inspection	4
Contents	4
Options	4
Features	5
Front Panel	5
Side Panel	5
Installation	6
Mounting	6
Input/ Output Connections	7
Ground post	7
Power Supply	7
HT Outputs	7
Remote On/Off	7
Output / Input Signals	8
Using the 994IML	9
Specification	10
CE Approval	10
Maintenance	11
Repairs And Warranty	11
994IML Static Generator Case and Mounting Detail	12

Products shown in this document may be covered by one or more patents, patents applied for and/or registered designs and/or trade marks. For further information please refer to our Head Office or visit www.meech.com.



Introduction

The Meech 994IML High voltage generator has been designed to work with the Hydra In-Mould Label pinning system. It provides 0-20kV, Negative polarity, in a lightweight package, powered by 24V DC

Full local and remote control makes it ideal for systems integrators, OEMs and end users alike.

Inspection

The Model 994IML was carefully packed at our factory to protect it from accidental damage. Nevertheless, we recommend careful examination of the carton and contents for any damage. If damage is evident, do not destroy the carton or packing material and immediately notify the carrier of a possible damage claim. Shipping claims must be made by the consignee to the delivering carrier. In addition, please also notify Meech International of any damage claims that may be made against the delivery carrier.

Contents:

Included with the Model 994IML

1. Instruction Manual



2. DC power plug, 2.1mm ID



3. 3.5mm mono jack plug for remote on/off



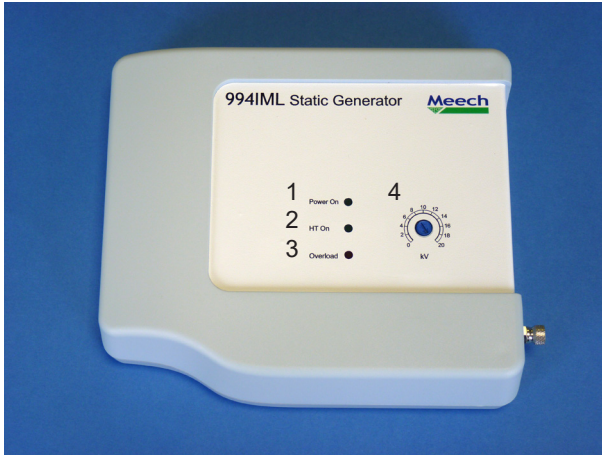
Options

1. Mini DIN control cable, 2000mm



Features

Front Panel



- 1. Power LED
- 2. HT On LED
- 3. Overload LED
- 4. Rotary Voltage Control

Side Panel



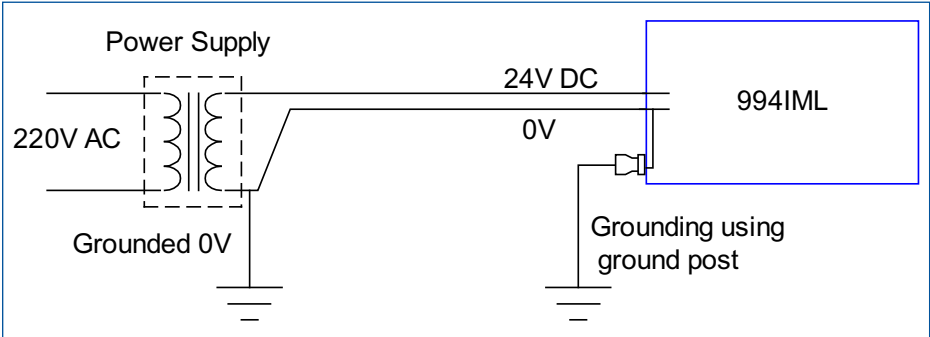
- 1. Ground post
- 2. On/Off Switch
- 3. 24V DC Inlet. Centre Positive
- 4. 8 Way Mini DIN Control interface
- 5. Remote On/Off.
- 6. HT Outputs.

Installation

Important.

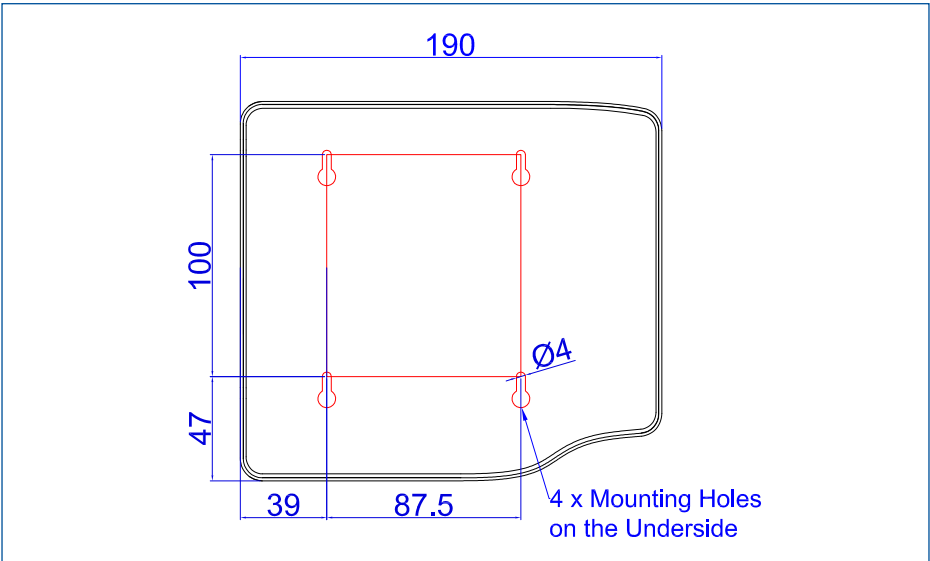
The 994IML must be electrically grounded. Failure to do so will damage the unit.

Grounding can be achieved either by using the ground post or by using a grounded 24V supply or both.



Mounting

Mount the unit using the 5mm keyhole mounts on the rear face in a dry, well ventilated area. Allow sufficient space for the cables on the right hand side of the unit.



Input/ Output Connections

Ground post

To avoid damage, the 994IML must be grounded. Whether or not the electrical supply is grounded (see page 6), it is strongly recommended that the 994IML should be grounded using this post.

Power Supply

2.1mm. Centre positive. 24V. A plug with solder terminals is supplied for the customer's use.

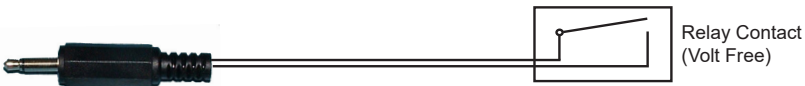
HT Outputs

Connect the Hydra pinning system to the HT output using the proprietary grey HT connector. Ensure the plug is securely fastened using the locking collar. If only one HT output is used, the unused output should be blanked off with the plug provided



Remote On/Off

The output of the 994IML can be turned on and off remotely via the socket located on the connection panel. A 3.5mm Jack plug, supplied with the unit, connected to volt-free contacts will allow the 994IML to be switched on when the contacts are made.



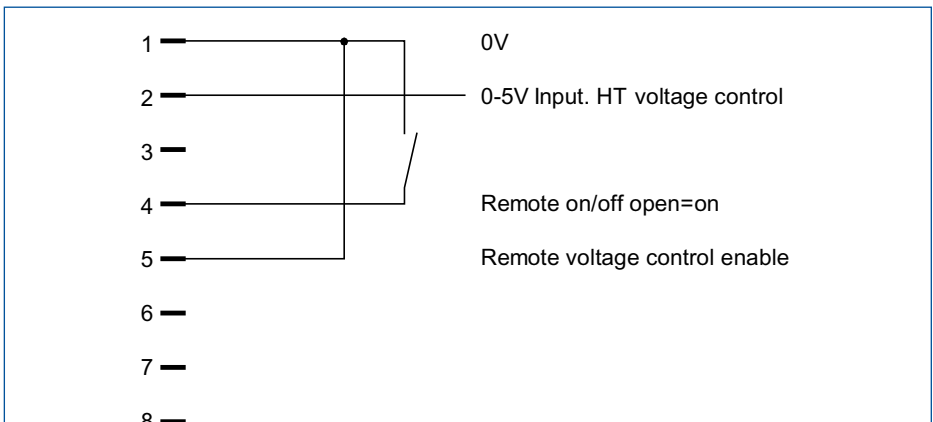
Note that the unit can also be turned on and off remotely via the Mini Din connection.

Output / Input Signals

The 8 Way Mini DIN connector offers the following connections:

	Function	2 Metre Cable	5 Metre Extension Cable
Terminal 1	Ground (0V)	Black	Orange
Terminal 2	Voltage control 0-5V = 0-20kV	Brown	Red
Terminal 3	Output voltage setting 0-5V = 0-20kV	Red	Yellow
Terminal 4	Remote ON/OFF. OFF when grounded (lo)	Orange	Purple
Terminal 5	Remote voltage control enabled when grounded (lo)	Yellow	Brown
Terminal 6	Output current 0-5V = 0-500µA	Green	Green
Terminal 7	5V if unit is overloaded	Blue	Blue
Terminal 8	5V when HT on	Purple	Black
Diagram	Male Plug		
Item Code		A900-DATA-CAB-2M	A900-DATA-CAB-5M
Drawing			

Typical wiring of mini DIN cable for Remote on/off and HT voltage control.



Using the 994IML

The 994IML can be used very simply with local control of the voltage and monitored using the front panel LEDs. For more sophisticated installations, the output voltage can be controlled via a 0-5 Volt analogue input. Remote monitoring of the output voltage and current is also provided by 0-5V analogue outputs. The state of the HT output is reported via a 5V signal.

In-built protection circuitry will prevent the output from exceeding 500mA, by limiting the output voltage. When the protection is in operation the front panel LED will illuminate and the 5V output signal will activate.

Specification

Dimensions	215 x 170 x 46mm (W x H x D)
Weight	500g
Supply	24V DC, 750 mA Max
Output Voltage	0 - 20kV Negative
Max Output Current	500 microAmps

CE Approval



An EC declaration of conformity for this product exists in respect of the Low Voltage Directive: 72/23/EEC (“LVD”) & Electromagnetic Compatibility Directive: 89/336/EEC (“EMCD”)

Maintenance

The only maintenance required is that the exterior of the Model 994IML Static Generator should be cleaned regularly with a dry cloth to keep it free from dust and other contaminants.



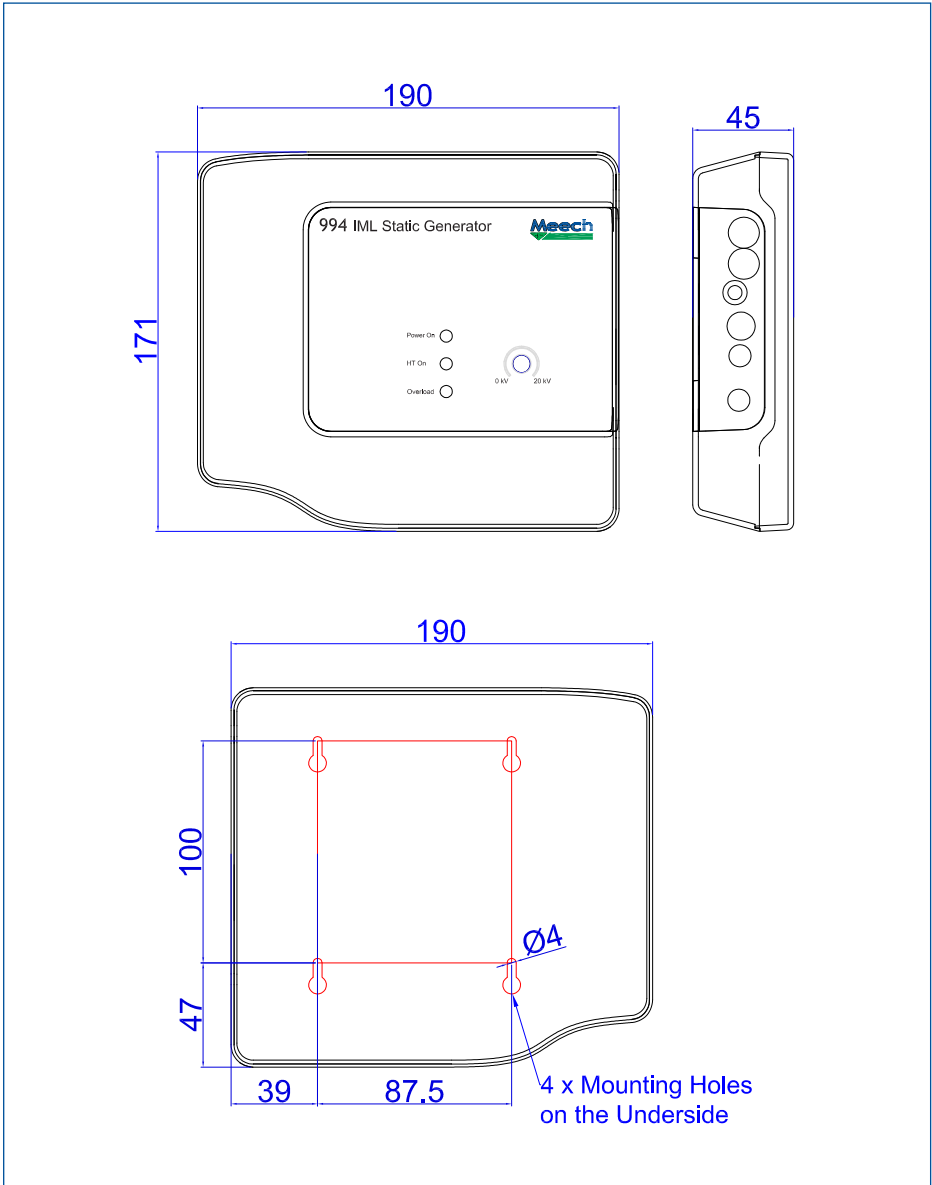
Repairs And Warranty

The 994IML Static Generator is warranted by Meech Static Eliminators Ltd to the original purchaser against defects in material and workmanship for one year after purchase. Should any malfunction occur, please return the unit directly to Meech Static Eliminators or your local distributor. All products returned to the factory **MUST** be accompanied by a return authorisation number and must be shipped prepaid. For prompt service, ship the unit to the factory with the return authorisation number shown clearly on the label. Ensure it is well packed in a sturdy carton with shock absorbing material.

Include a note stating the nature of the problem as specifically as possible, and also include instructions for returning the unit to you. We will pay one-way return surface shipping costs on any repairs covered under the warranty.

Field repairs should never be undertaken. Attempts by unqualified personnel to repair the unit will invalidate the warranty.

994IML Static Generator Case and Mounting Detail





Meech International

2 Network Point
Range Road, Witney
OX29 0YN, UK

Tel: +44 (0)1993 706700
Fax: +44 (0)1993 776977
email: sales@meech.com

Meech Static Eliminators (Shanghai) Co. Ltd

7G, 7F, LP Tower
#25 Xiangfeng Road
201103 Shanghai
China

Tel: +86 400 820 0102
Fax: +86 21 6405 7736
email: china@meech.com

Meech Static Eliminators USA Inc

2915 Newpark Drive
Norton, OH 44203
USA

Tel: +1 330 564 2000 / 1 800 232 4210
Fax: +1 330 564 2005
email: info@meech.com

Meech Shavotech

29/2, Kharadi
Off Pune-Nagar Road
On Old Kharadi Mundhwa Road
Pune - 411014, Maharashtra
India

Tel: +91 (0)703 093 8211 / +91 (0)741 000 4817
Fax: +91 (080) 28395963
email: india@meech.com

Meech Elektrostatik SA

Kaiserbaracke 166
B-4780 St.Vith
Belgium

Tel.: +49 (0)6555 3733 399
+32 (0)80 670 204
Fax: +32 (0)80 862 821
email: mesa@meech.com

Meech International (Singapore) Pte. Ltd.

7 Temasek Boulevard
12 - 07 Suntec Tower One
Singapore
Singapore
038987

Tel: +65 65918859
email: singapore@meech.com

Meech CE

Gábor László utca 2
Budapest 1041
Hungary

Tel: +36 1 7977039
+36 30 2803334
email: ce@meech.com