

COPYRIGHT © MEECH STATIC ELIMINATORS
 THIS DOCUMENT AND THE INFORMATION
 THEREIN IS THE PROPERTY OF THE MEECH
 GROUP AND SHOULD NOT BE COPIED IN WHOLE
 OR PART OR USED FOR MANUFACTURE OR
 OTHERWISE DISCLOSED WITHOUT THE PRIOR
 WRITTEN CONSENT OF MEECH INTERNATIONAL

TITLE: 929 IPS Assembly

DRAWING No:
 A929 IPS

MATERIAL: Various

FINISH: Various

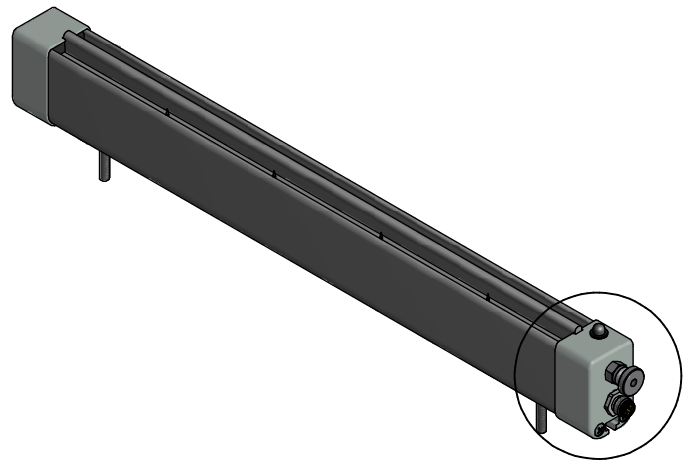
TOLERANCE UNLESS OTHERWISE SPECIFIED <small>Machined Work Metric ±0.1mm Unmachined Fabrications ±1mm Angular ±0°30'</small>	DIMENSIONS IN MM DO NOT SCALE	
	CRITICAL TO FUNCTION (CTF) DIMENSIONS AS MARKED	
	PROJECTION 	Sheet A4
	Scale 1:2	

Date: 22/08/2014	Drawn by: David.Hyde
---------------------	-------------------------

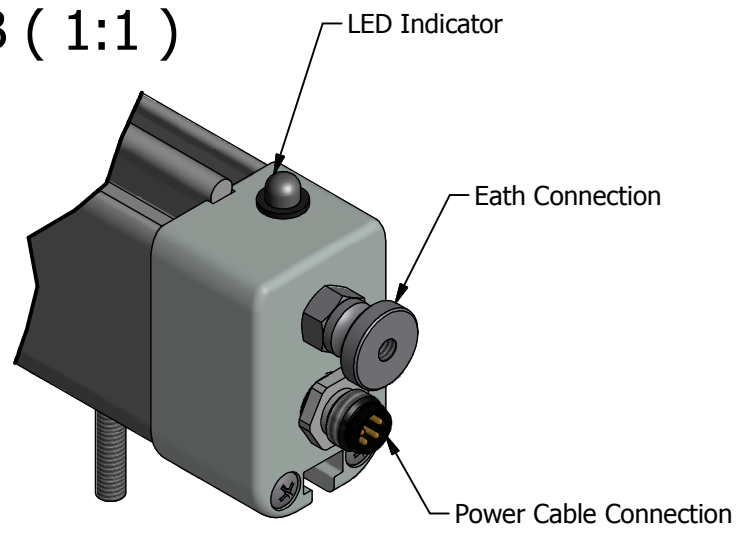
REVISION: A

SHEET: 1 / 1

STATUS: Production

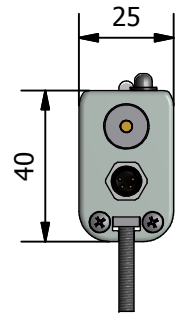
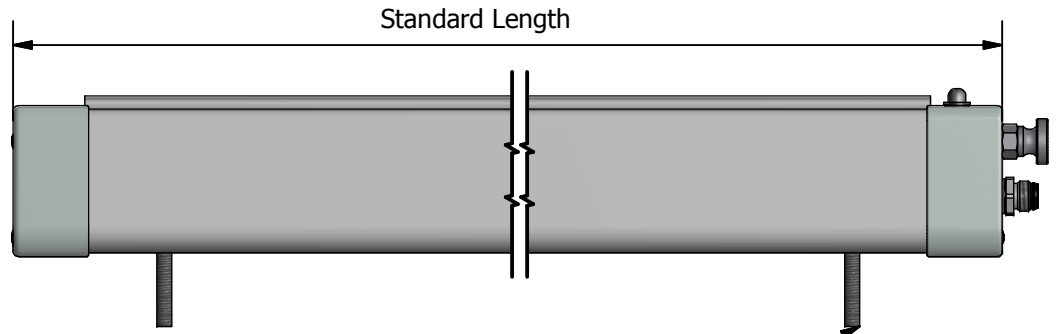
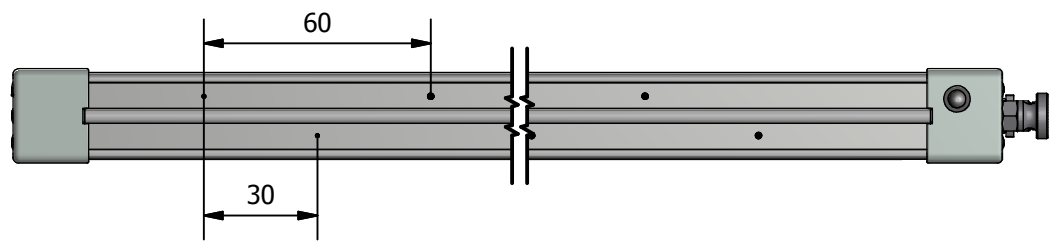


B (1:1)



B

929 IPS	
Standard Length	No. of Studs
325	2
445	2
565	2
685	2
805	2
925	2
1045	3
1165	3
1285	3
1405	3
1525	4
1645	4
1765	4
1885	4
2005	5
2125	5
2245	5
2365	5
2485	5
2605	6
2725	6
2845	6
2965	6



Adjustable M4 Mounting Studs