



Meech International
 2 Network Point
 Range Road, Witney
 OX29 0YN UK
 Tel: +44 (0) 1993 706700
 Fax: +44 (0) 1993 776977
 email: sales@meech.com
 web: www.meech.com

Product Code: A261v2-32

COPYRIGHT © MEECH STATIC ELIMINATORS
 THIS DOCUMENT AND THE INFORMATION
 THEREIN IS THE PROPERTY OF THE MEECH
 GROUP AND SHOULD NOT BE COPIED IN WHOLE
 OR PART OR USED FOR MANUFACTURE OR
 OTHERWISE DISCLOSED WITHOUT THE PRIOR
 WRITTEN CONSENT OF MEECH INTERNATIONAL

TITLE: 261v2 Standard Nozzle

DRAWING No:
 A261v2-32

MATERIAL: Various

FINISH: Various

TOLERANCE UNLESS OTHERWISE SPECIFIED	DIMENSIONS IN MM	
	DO NOT SCALE	
	CRITICAL TO FUNCTION (CTF) DIMENSIONS AS MARKED	
Machined Work Metric ±0.1mm		
Unmachined Fabrications ±1mm		
Angular ±0°30'		

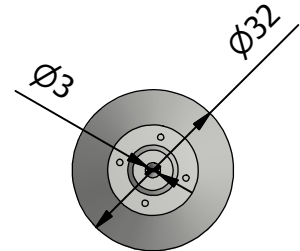
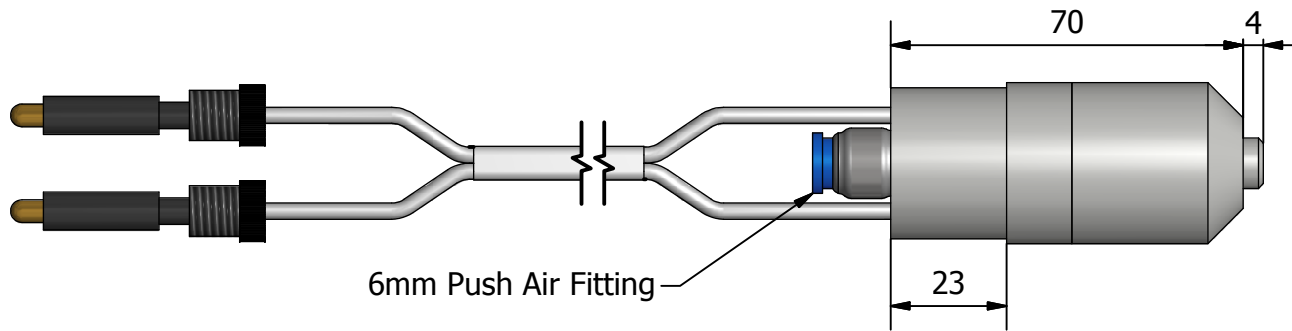
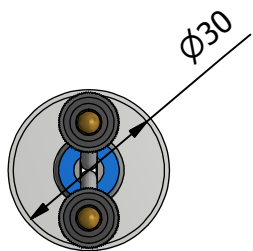
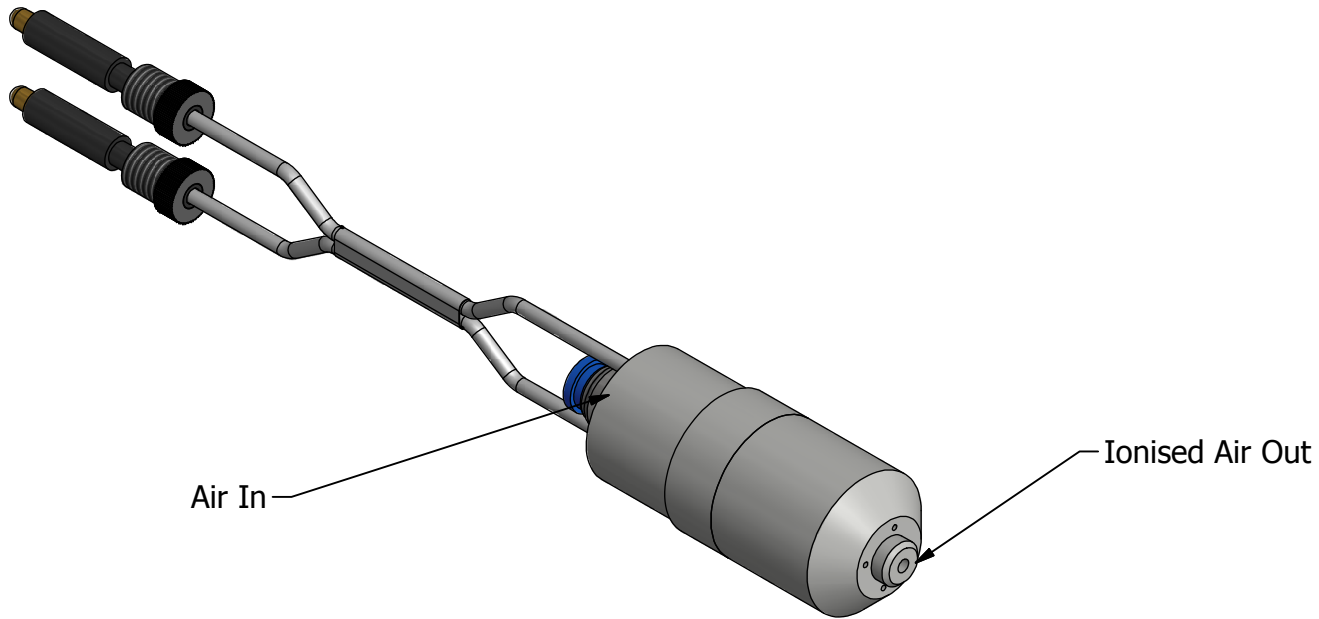
PROJECTION	Sheet	Scale
	A4	2:3

Date:	Drawn by:
08/09/2014	David.Hyde

REVISION: A

SHEET: 9 / 19

STATUS: Production



Note : - All of 261 Range is available with or without 6mm push Air fitting
 - Removal of Air fitting leaves a 1/4 inch BSP tapped hole