



Meech International
2 Network Point
Range Road, Witney
OX29 0YN UK
Tel: +44 (0) 1993 706700
Fax: +44 (0) 1993 776977
email: sales@meech.com
web: www.meech.com

Produkt-Code: A261v2-32-1/4

COPYRIGHT © MEECH STATIC ELIMINATORS
THIS DOCUMENT AND THE INFORMATION
THEREIN IS THE PROPERTY OF THE MEECH
GROUP AND SHOULD NOT BE COPIED IN WHOLE
OR PART OR USED FOR MANUFACTURE OR
OTHERWISE DISCLOSED WITHOUT THE PRIOR
WRITTEN CONSENT OF MEECH INTERNATIONAL

**TITLE: 261v2 Quarter Inch BSP
In and Out**

DRAWING No:
A261v2-32-1/4

MATERIAL: Various

FINISH: Various

TOLERANCE UNLESS OTHERWISE SPECIFIED Machined Work Metric $\pm 0.1\text{mm}$ Unmachined Fabrications $\pm 1\text{mm}$ Angular $\pm 0.30^\circ$	DIMENSIONS IN MM DO NOT SCALE	
	CRITICAL TO FUNCTION (CTF) DIMENSIONS AS MARKED	

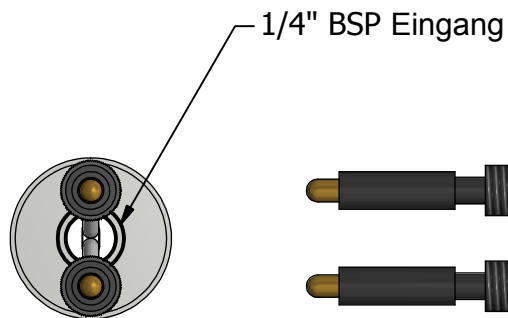
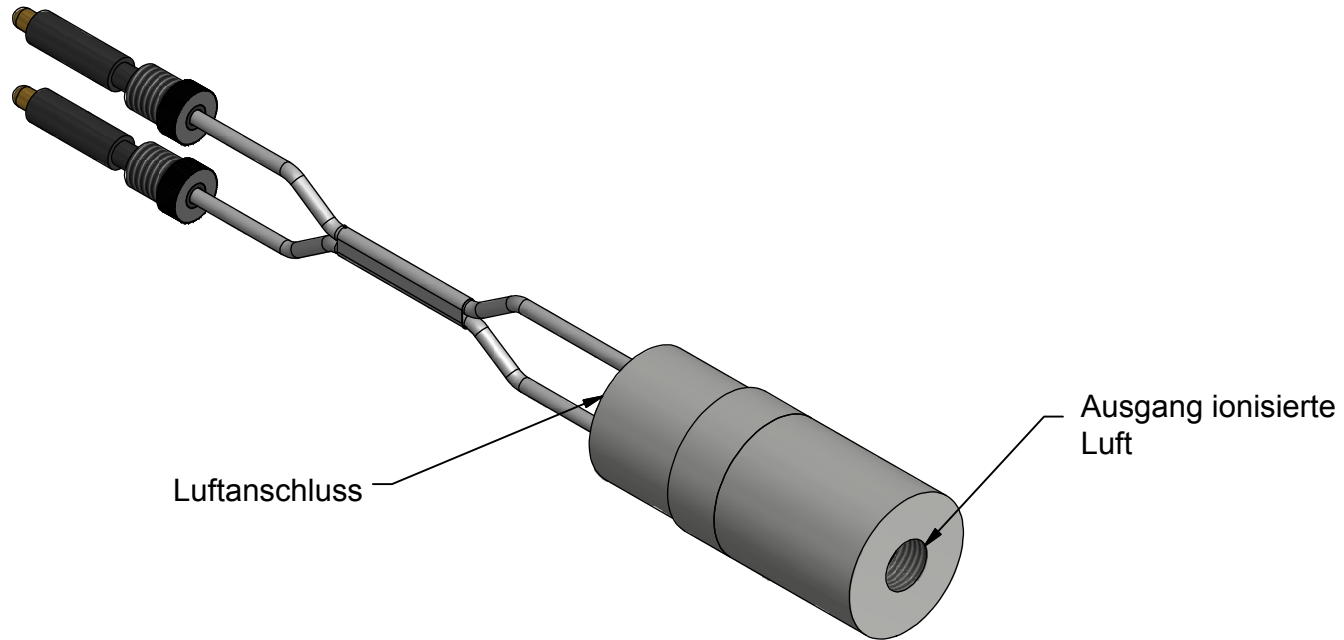
PROJECTION 	Sheet A4	Scale 2:3
-----------------------	--------------------	---------------------

Date: 08/09/2014	Drawn by: David.Hyde
----------------------------	--------------------------------

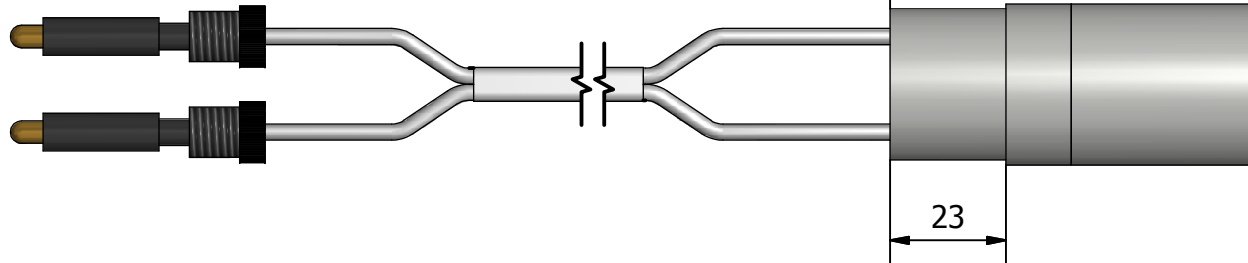
REVISION: A

SHEET: 4 / 19

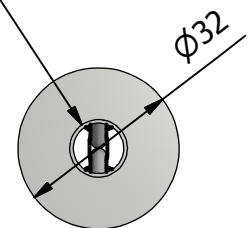
STATUS: Production



1/4" BSP Eingang



1/4" BSP Ausgang



Hinweis: - Die 261 Serie ist mit oder ohne 6mm Luftanschluss verfügbar
- Ohne Luftanschluss verfügen die Düsen über eine 1/4" BSP Gewindebohrung