



Product Code: A261v2-32-SLOT

Meech International
 2 Network Point
 Range Road, Witney
 OX29 0YN UK
 Tel: +44 (0) 1993 706700
 Fax: +44 (0) 1993 776977
 email: sales@meech.com
 web: www.meech.com

COPYRIGHT © MEECH STATIC ELIMINATORS
 THIS DOCUMENT AND THE INFORMATION
 THEREIN IS THE PROPERTY OF THE MEECH
 GROUP AND SHOULD NOT BE COPIED IN WHOLE
 OR PART OR USED FOR MANUFACTURE OR
 OTHERWISE DISCLOSED WITHOUT THE PRIOR
 WRITTEN CONSENT OF MEECH INTERNATIONAL

TITLE: 261v2 Slotted Nozzle

DRAWING No:
 A261v2-32-SLOT

MATERIAL: Various

FINISH: Various

| | |
|---|----------------------------|
| TOLERANCE UNLESS OTHERWISE SPECIFIED | DIMENSIONS IN MM |
| | DO NOT SCALE |
| | CRITICAL TO FUNCTION |
| | (CTF) DIMENSIONS AS MARKED |
| Machined Work Metric ±0.1mm | |
| Unmachined Fabrications ±1mm | |
| Angular ±0°30' | |

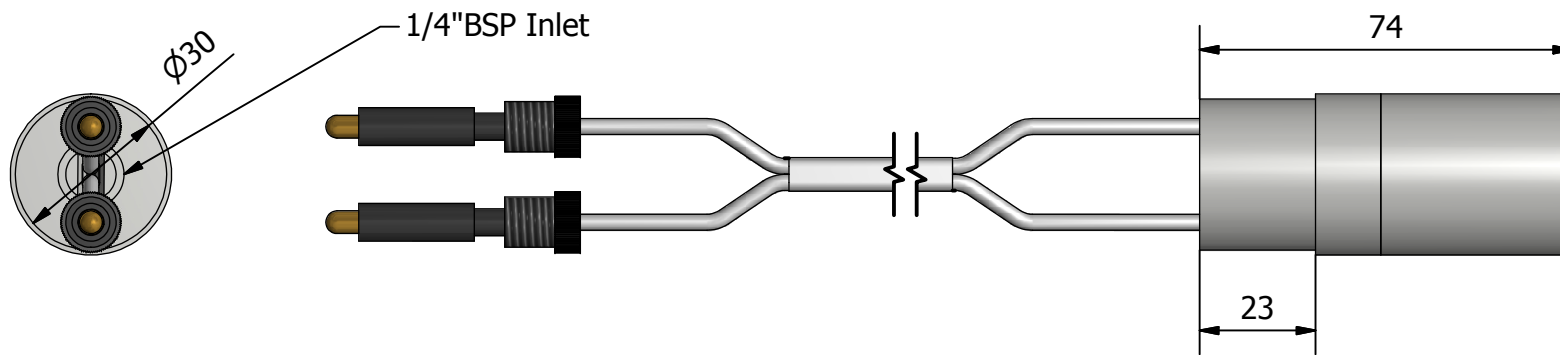
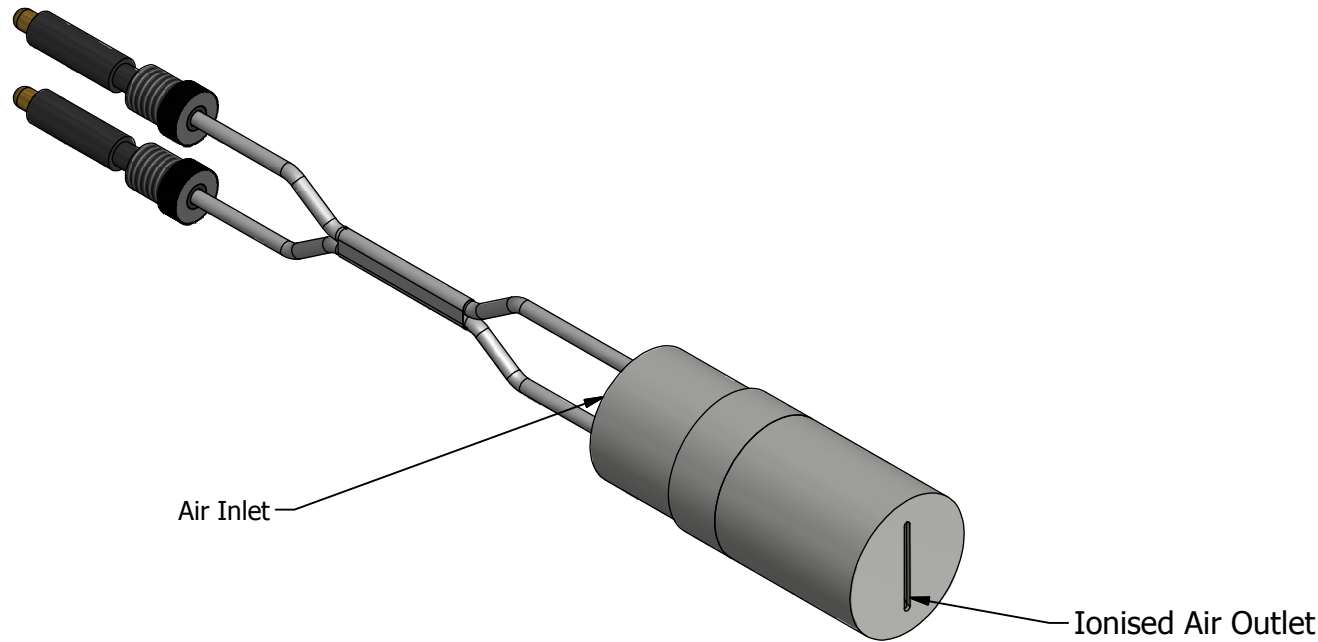
| | | |
|-------------------|--------------|--------------|
| PROJECTION | Sheet | Scale |
| | A4 | 2:3 |

| | |
|--------------|------------------|
| Date: | Drawn by: |
| 08/09/2014 | David.Hyde |

REVISION: A

SHEET: 16 / 19

STATUS: Production



Note : - All of 261 Range is available with or without 6mm push Air fitting
 - Removal of Air fitting leaves a 1/4 inch BSP tapped hole