

COPYRIGHT © MEECH STATIC ELIMINATORS
 THIS DOCUMENT AND THE INFORMATION
 THEREIN IS THE PROPERTY OF THE MEECH
 GROUP AND SHOULD NOT BE COPIED IN WHOLE
 OR PART OR USED FOR MANUFACTURE OR
 OTHERWISE DISCLOSED WITHOUT THE PRIOR
 WRITTEN CONSENT OF MEECH INTERNATIONAL

TITLE: 261v2 Slotted Nozzle

DRAWING No:
 A261v2-32-SLOT

MATERIAL: Various

FINISH: Various

TOLERANCE UNLESS OTHERWISE SPECIFIED	DIMENSIONS IN MM	
	DO NOT SCALE	
	CRITICAL TO FUNCTION	
	(CTF) DIMENSIONS AS MARKED	
Machined Work Metric ±0.1mm		
Unmachined Fabrications ±1mm		
Angular ±0°30'		

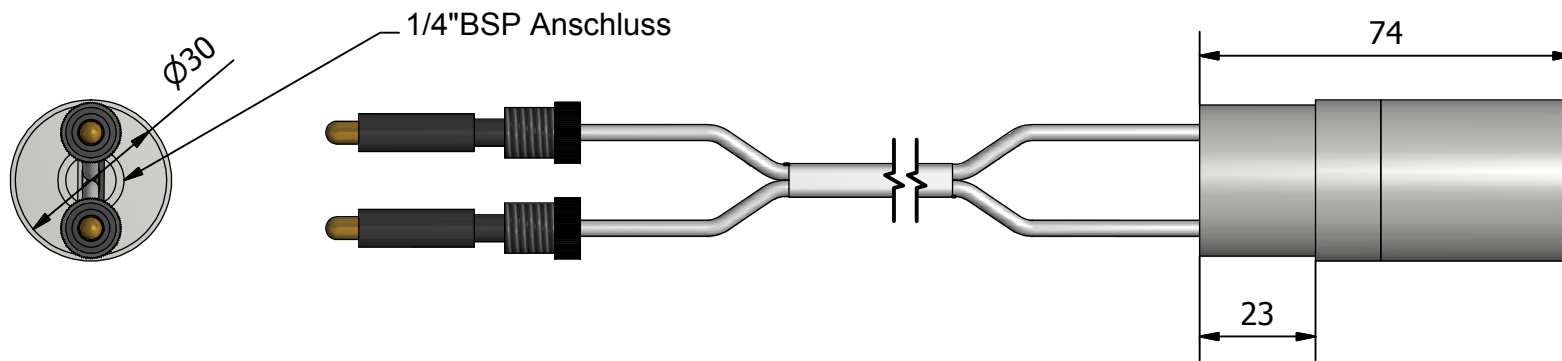
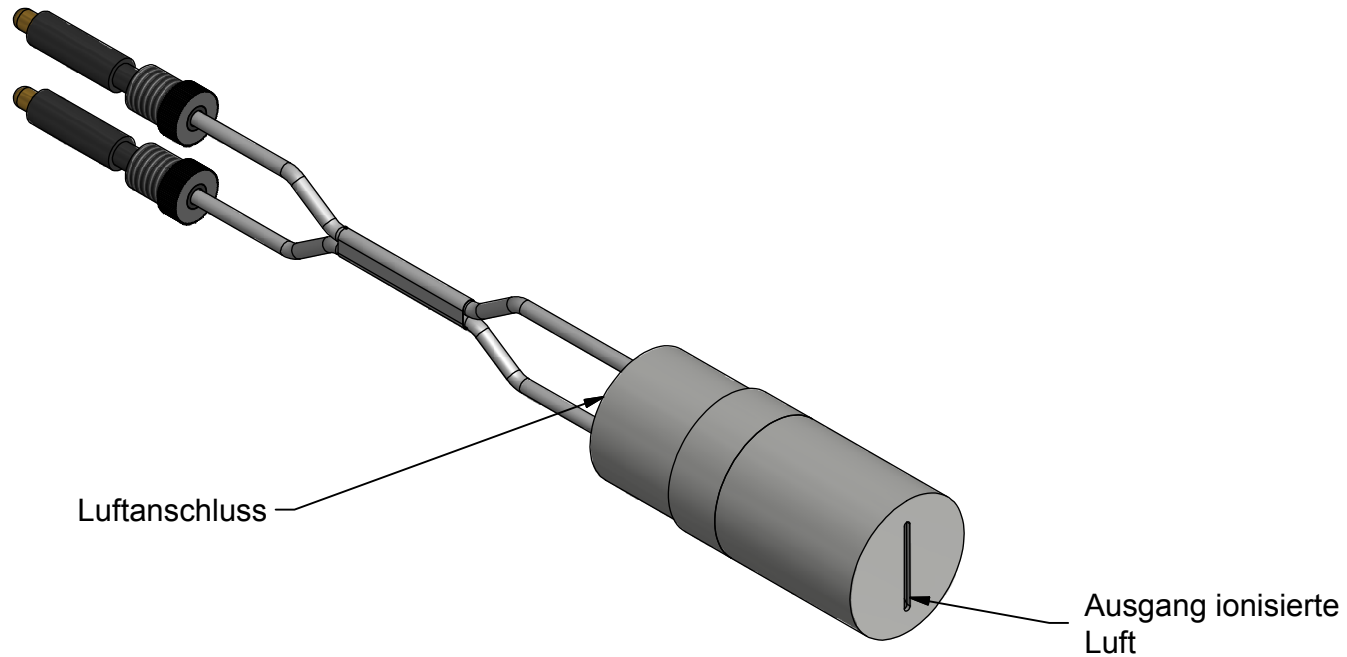
PROJECTION	Sheet	Scale
	A4	2:3

Date:	Drawn by:
08/09/2014	David.Hyde

REVISION: A

SHEET: 16 / 19

STATUS: Production



Hinweis: - Die 261 Serie ist mit oder ohne 6mm Luftanschluss verfügbar
 - Ohne Luftanschluss verfügen die Düsen über eine 1/4" BSP Gewindebohrung