



Meech International
2 Network Point
Range Road, Witney
OX29 0YN UK
Tel: +44 (0) 1993 706700
Fax: +44 (0) 1993 776977
email: sales@meech.com
web: www.meech.com

Produkt-Code: A261v2-32

COPYRIGHT © MEECH STATIC ELIMINATORS
THIS DOCUMENT AND THE INFORMATION
THEREIN IS THE PROPERTY OF THE MEECH
GROUP AND SHOULD NOT BE COPIED IN WHOLE
OR PART OR USED FOR MANUFACTURE OR
OTHERWISE DISCLOSED WITHOUT THE PRIOR
WRITTEN CONSENT OF MEECH INTERNATIONAL

TITLE: 261v2 Standard Nozzle

DRAWING No:
A261v2-32

MATERIAL: Various

FINISH: Various

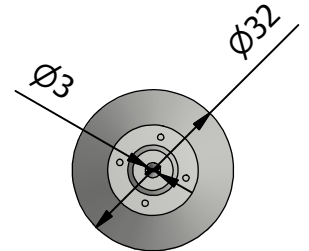
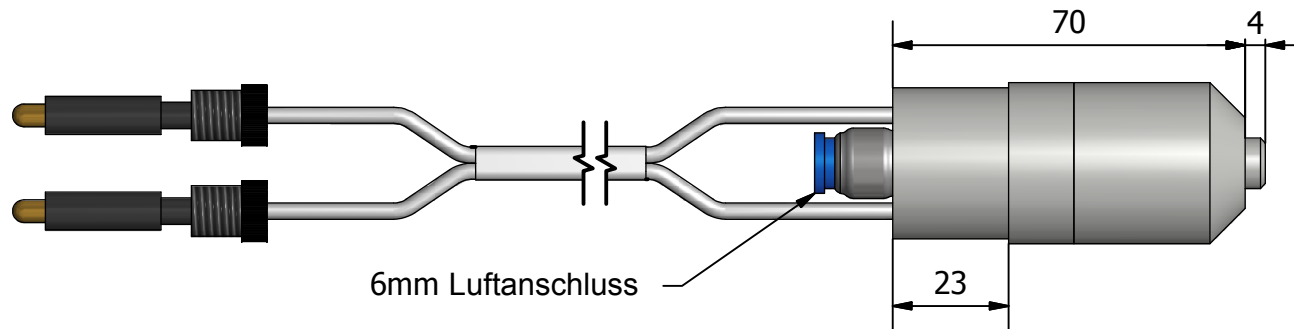
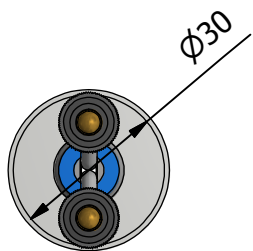
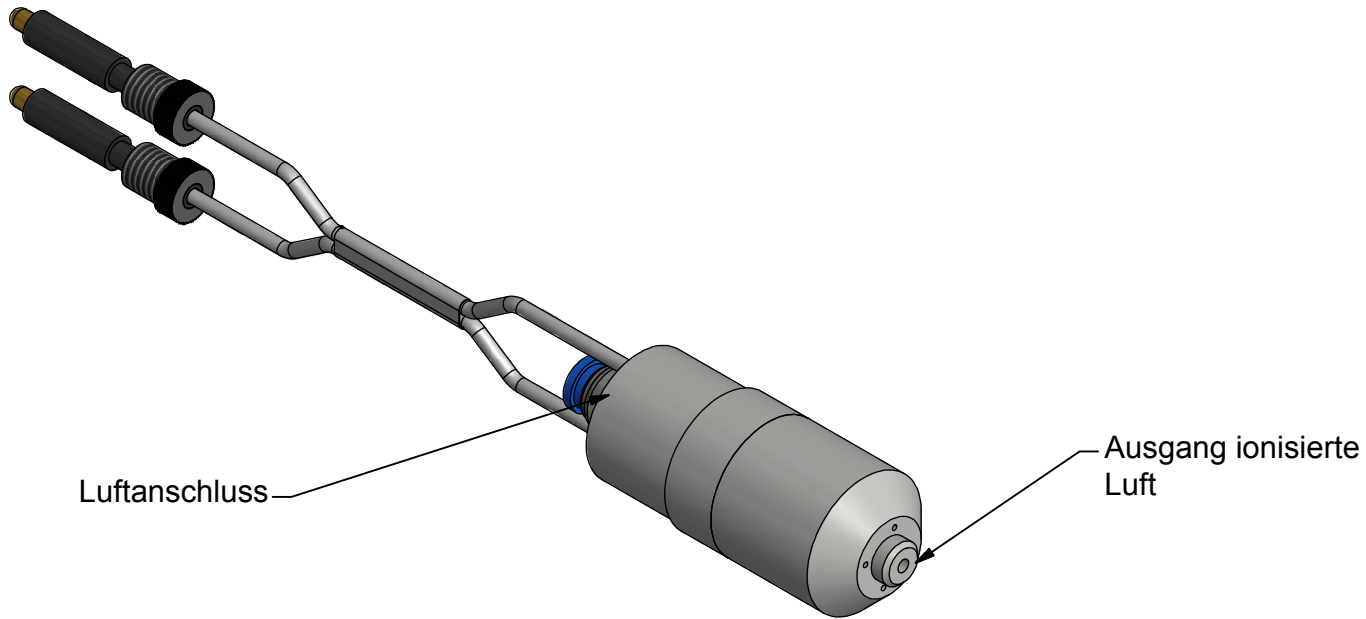
| | | |
|--|--|--------------------|
| TOLERANCE UNLESS OTHERWISE SPECIFIED Machined Work Metric $\pm 0.1\text{mm}$ Unmachined Fabrications $\pm 1\text{mm}$ Angular $\pm 0.30^\circ$ | DIMENSIONS IN MM DO NOT SCALE | |
| | CRITICAL TO FUNCTION (CTF) DIMENSIONS AS MARKED | |
| | PROJECTION | Sheet A4 |

| | |
|----------------------------|--------------------------------|
| Date: 08/09/2014 | Drawn by: David.Hyde |
|----------------------------|--------------------------------|

REVISION: A

SHEET: 9 / 19

STATUS: Production



Hinweis: - Die 261 Serie ist mit oder ohne 6mm Luftanschluss verfügbar
- Ohne Luftanschluss verfügen die Düsen über eine 1/4" BSP Gewindebohrung