

TITLE: Cabinet Cooler

DRAWING No:  
A70025

MATERIAL: Various

FINISH: Various

<b>TOLERANCE</b>	<b>DIMENSIONS</b>
Machined Work: Metric 0.2mm	MM
Unmachined Fabrications: 2mm	DO NOT SCALE
Angular 0.2°	

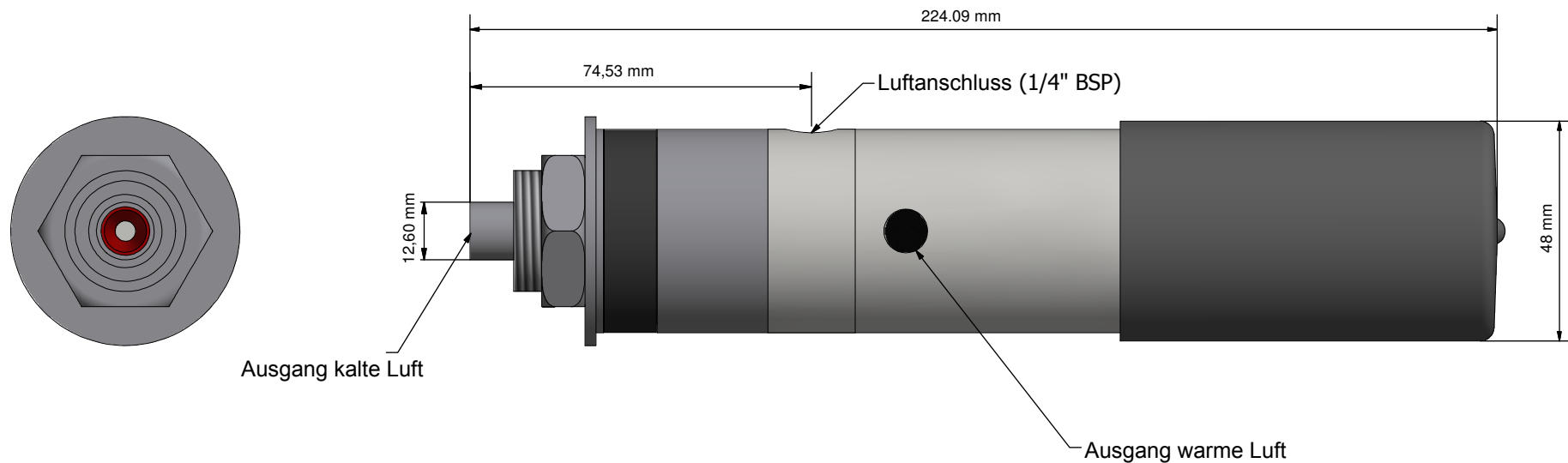
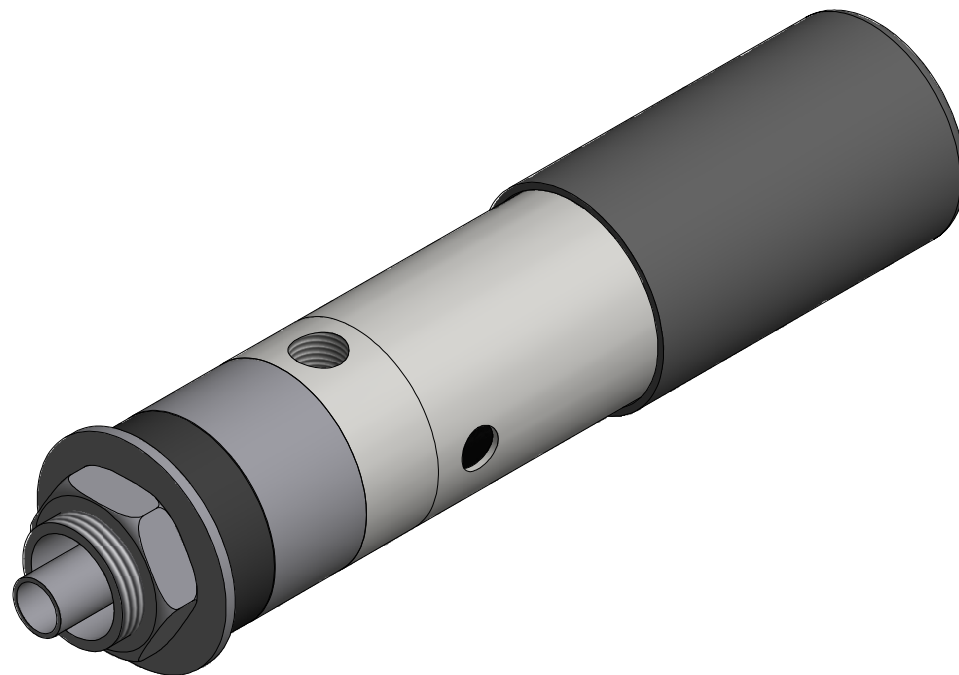
<b>PROJECTION</b>	Sheet	Scale
1st Angle	A3	1:2

Date:	Drawn by:
26/09/2011	David Hyde

REVISION: A

SHEET: 18 / 18

STATUS: Production



Ausgang kalte Luft

Luftanschluss (1/4" BSP)

Ausgang warme Luft