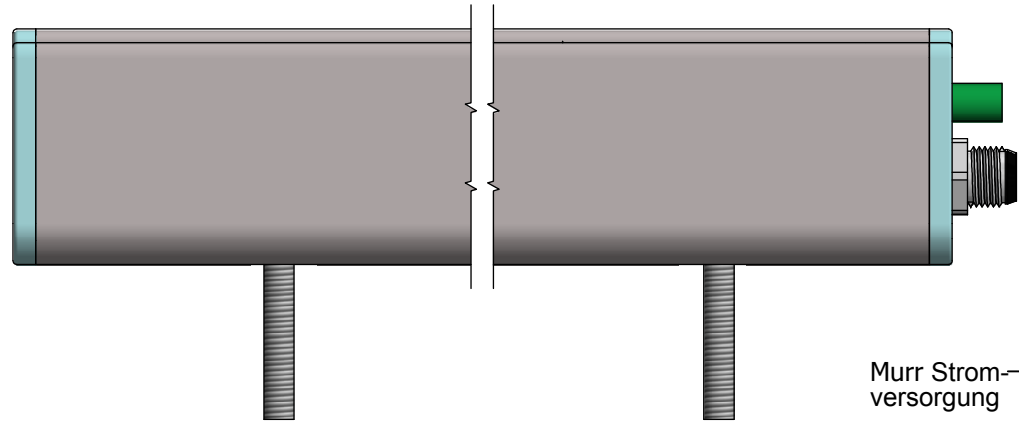
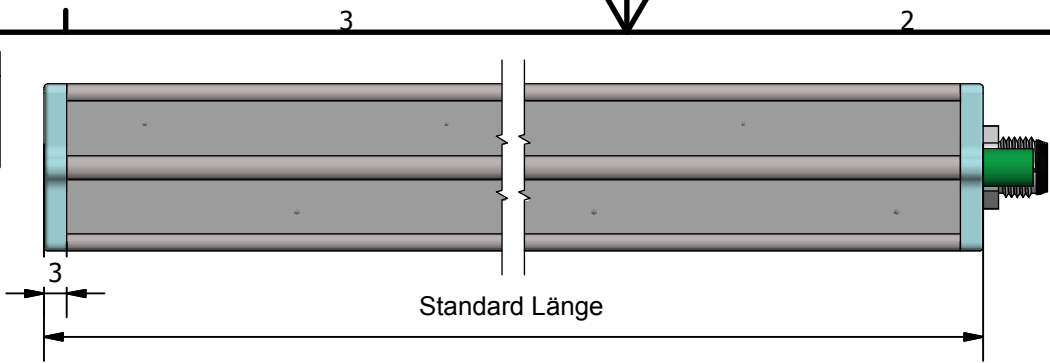


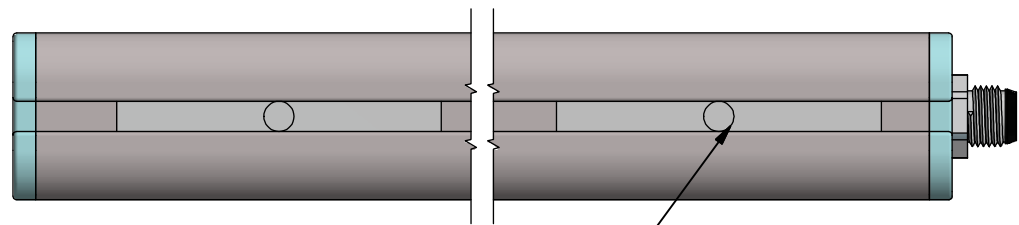
Standard Längen	
Standard Länge	Nr. Nutensteine
0240	2
0280	2
0320	2
0360	2
0400	2
0440	2
0480	2
0520	2
0560	2
0600	2
0680	2
0760	2
0840	2
0920	2
1000	3
1080	3
1160	3
1240	3
1320	3
1400	3
1560	4
1720	4
1880	4
2040	5
2200	5
2360	5
2520	6
2680	6
2840	6
3000	6
3160	7
3320	7
3480	7
3640	8
3800	8

Kombination aus Standard Länge und Modellnummer ergibt Produkt-Code
z.B. 240mm Elektrode wäre A924IPS-0240

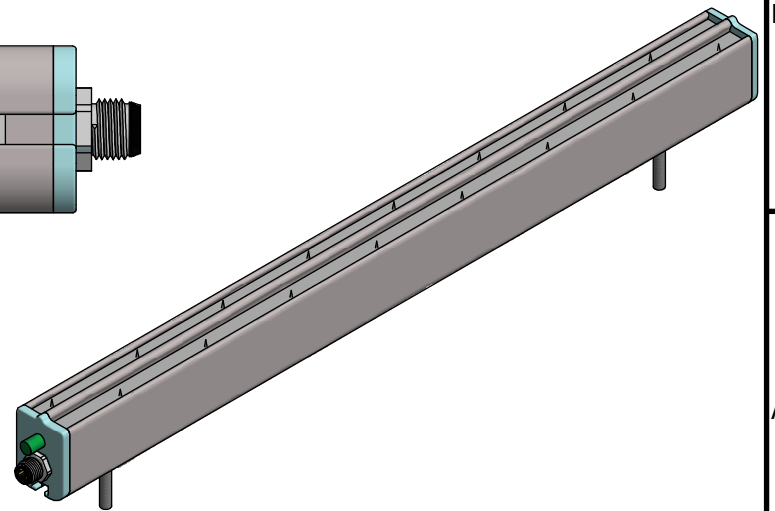


LED Anzeige

Murr Stromversorgung



M4 verstellbare T-Nutensteine



Meech International
2 Network Point
Range Road, Witney
OX29 0YN, UK
Tel: +44 (0) 1993 706700
Fax: +44 (0) 1993 776977
email: sales@meech.com
web: www.meech.com

COPYRIGHT © MEECH STATIC ELIMINATORS
THIS DOCUMENT AND THE INFORMATION
THEREIN IS THE PROPERTY OF THE MEECH
GROUP AND SHOULD NOT BE COPIED IN WHOLE
OR PART OR USED FOR MANUFACTURE OR
OTHERWISE DISCLOSED WITHOUT THE PRIOR
WRITTEN CONSENT OF MEECH INTERNATIONAL

TITLE: 924 Bar

DRAWING No:
A924IPS-_____

MATERIAL: Various

FINISH: Various

TOLERANCE
Machined Work Metric 0.2mm
Unmachined Fabrications 2mm
Angular 0.2°

DIMENSIONS
MM
DO NOT SCALE

PROJECTION
First Angle

Sheet
A4

Scale
1:1

Date:
18/05/2015

Drawn by:
David.Hyde

REVISION: 1

SHEET: 1 / 1

STATUS: Production