

TITLE: A957 EX Bar

DRAWING No:  
 A957EX-\_-\_-\_-

MATERIAL: Various

FINISH: Various

TOLERANCE UNLESS OTHERWISE SPECIFIED  
 Machined Work Metric ±0.1mm  
 Unmachined Fabrications ±1mm  
 Angular ±0°30'

DIMENSIONS IN MM  
 DO NOT SCALE  
 CRITICAL TO FUNCTION  
 (CTF) DIMENSIONS AS  
 MARKED

PROJECTION: Sheet: A3 Scale: 2:5

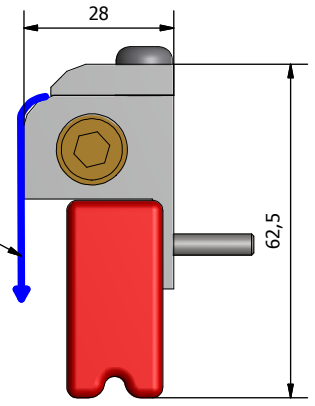
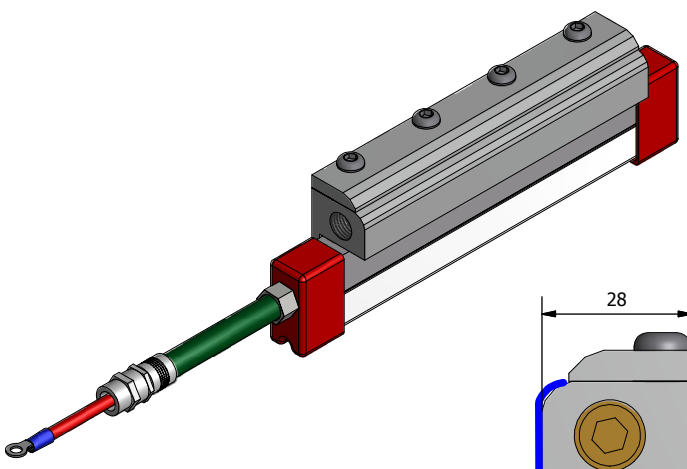
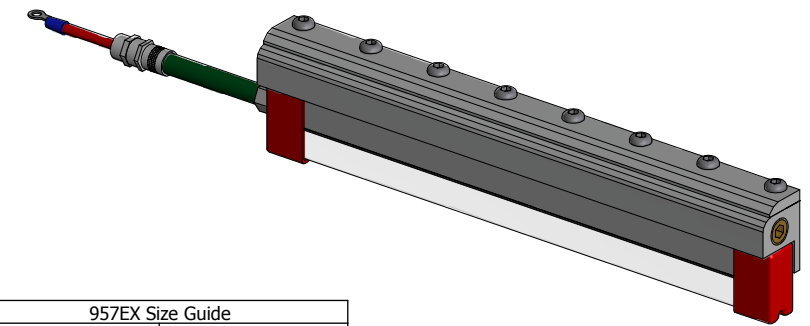
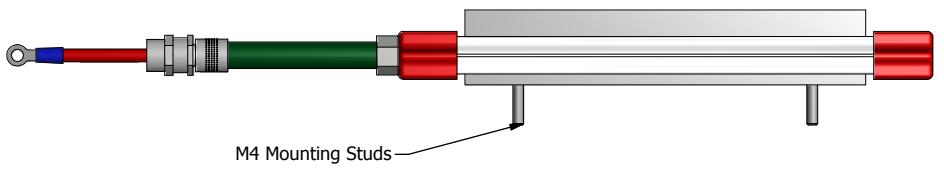
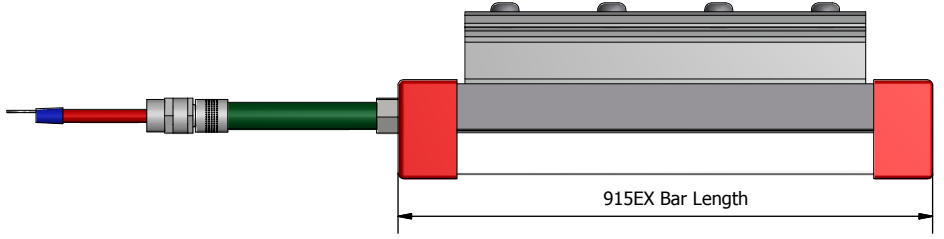
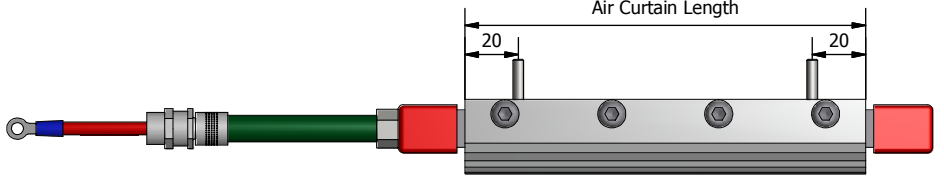
Date: 26/01/2015 Drawn by: David Hyde

REVISION:

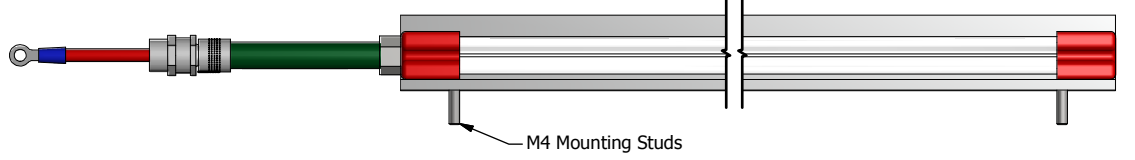
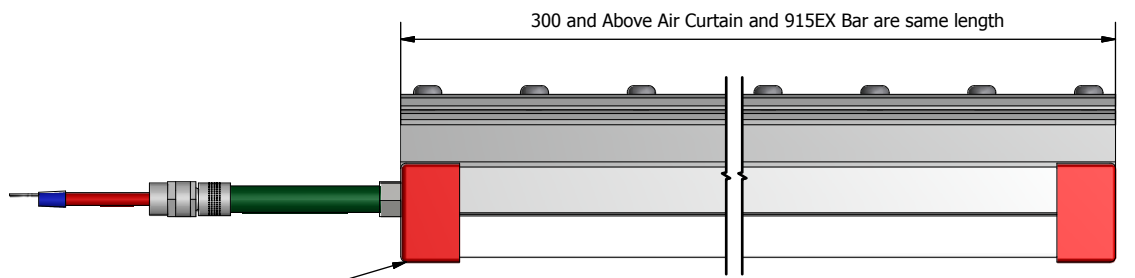
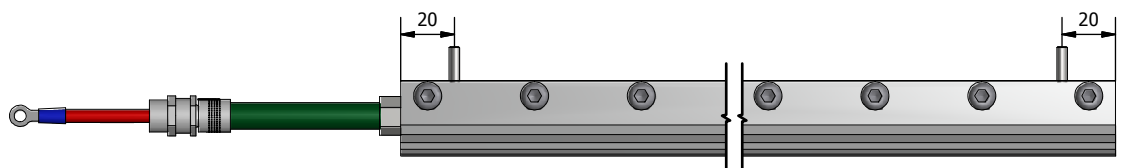
SHEET: 1 / 1

STATUS: Production

## 957EX Below 300mm



## 957EX 300mm and Above



957EX Size Guide	
Air Curtain length (mm)	915EX Bar length (mm)
0080	0130
0100	0150
0150	0200
0300	0300
0450	0450
0600	0600
0750	0750
0900	0900
1200	1200
1500	1500
1800	1800

Add standard length 4 digit number into the drawing number to get your required product code (i.e A957EX-0080)