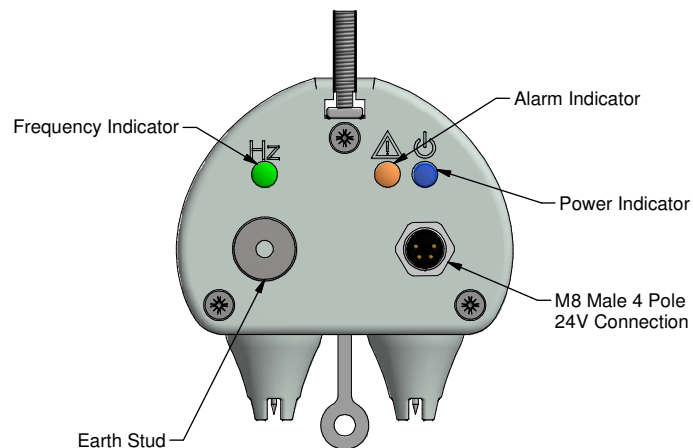
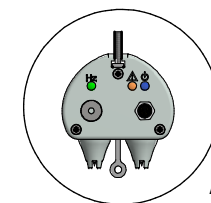
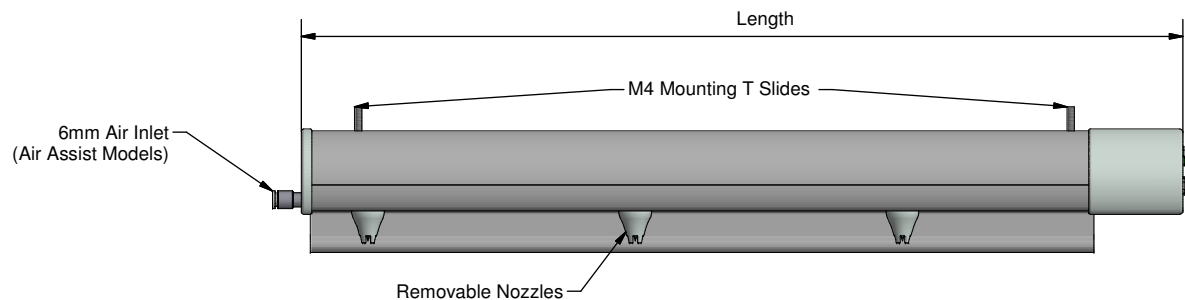
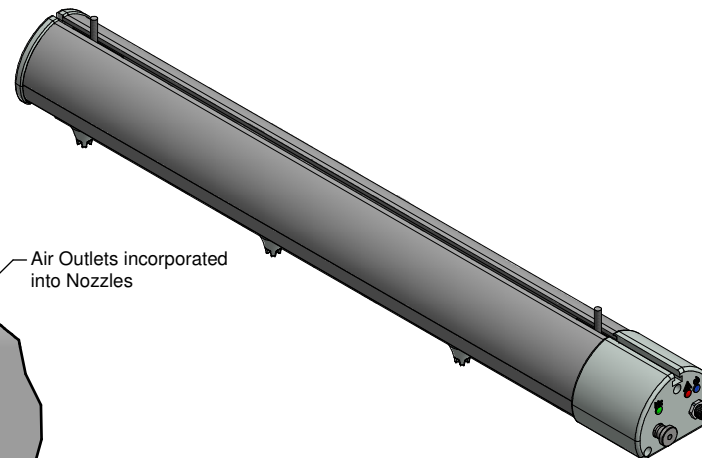
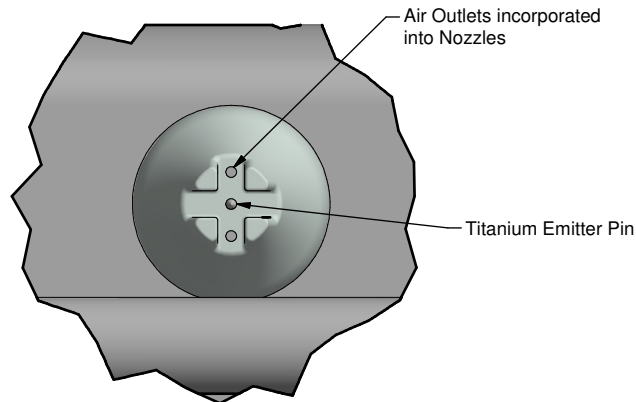


A (1:1)



B (2:1)



Length (mm)	No. of Studs
350	2
500	2
650	2
800	2
950	2
1100	3
1250	3
1400	3
1550	3
1850	4
2150	4
2450	4
2750	5
3050	5
3350	6
3650	7
3950	7

