



Meech International  
 2 Network Point  
 Range Road, Witney  
 OX29 0YN UK  
 Tel: +44 (0) 1993 706700  
 Fax: +44 (0) 1993 776977  
 email: sales@meech.com  
 web: www.meech.com

**COPYRIGHT © MEECH STATIC ELIMINATORS**  
 THIS DOCUMENT AND THE INFORMATION  
 THEREIN IS THE PROPERTY OF THE MEECH  
 GROUP AND SHOULD NOT BE COPIED IN WHOLE  
 OR PART OR USED FOR MANUFACTURE OR  
 OTHERWISE DISCLOSED WITHOUT THE PRIOR  
 WRITTEN CONSENT OF MEECH INTERNATIONAL

TITLE: 977CM

DRAWING No: A977CM

MATERIAL: Various

FINISH: Various

TOLERANCE UNLESS OTHERWISE SPECIFIED Machined Work Metric ±0.1mm Unmachined Fabrications ±1mm Angular ±0°30'	DIMENSIONS IN MM DO NOT SCALE	
	CRITICAL TO FUNCTION (CTF) DIMENSIONS AS MARKED	
	PROJECTION	Sheet
	Scale	Scale

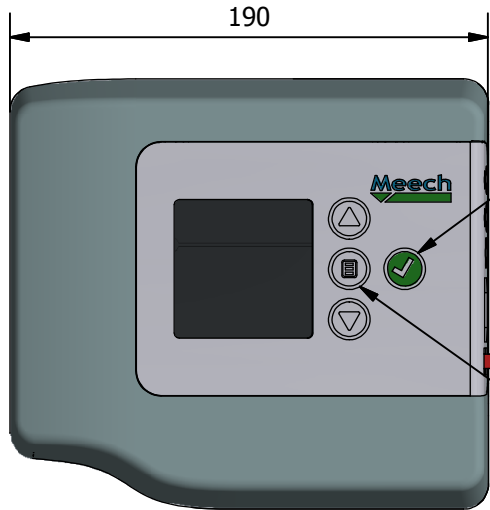
PROJECTION	Sheet	Scale
≡	A4	1:2

Date:	Drawn by:
09/02/2015	David.Hyde

REVISION:

SHEET: 1 / 1

STATUS: Production



Auswahl-Taste

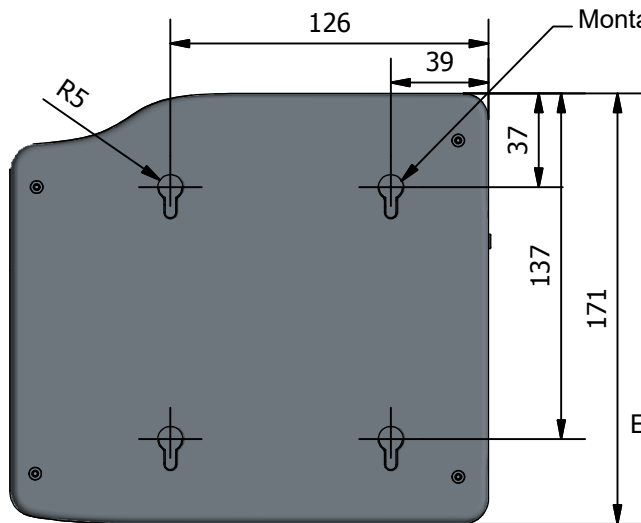
Menü Taste



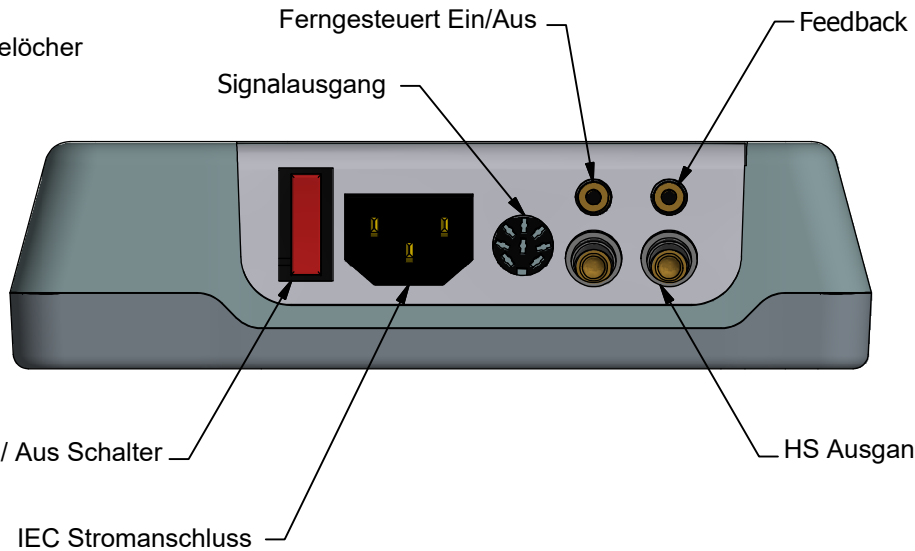
A ( 1 : 1.5 )



A



Montagelöcher



Ferngesteuert Ein/Aus

Feedback

Signal Ausgang

HS Ausgang

Ein/ Aus Schalter

IEC Stromanschluss