

To Suit 0601-0700mm Max Web Width

CyClean R Product Code: ACR-0700-0EFS-01

Dimensions : mm[inches]



Meech International
2 Network Point
Range Road, Witney
OX29 0YN, UK
Tel: +44 (0) 1993 706700
Fax: +44 (0) 1993 736977
email: sales@meech.com
web: www.meech.com

'Meech International' is a trading style of Meech Static Eliminators Ltd

TITLE : CyClean R, 0601-0700 Web Width, No AHU, End Feed, Fixed, Single Sided

DRAWING NO: ACR-0700-0EFS-01

MATERIAL : Various

FINISH : Various

TOLERANCE UNLESS OTHERWISE SPECIFIED
Machined Work Metric $\pm 0.1\text{mm}$
Unmachined Fabrications $\pm 1\text{mm}$
Angular $\pm 0^{\circ}30'$

DIMENSIONS IN MM DO NOT SCALE
CRITICAL TO FUNCTION (CTF)
DIMENSIONS AS MARKED

PROJECTION	SHEET	SCALE
	A3	NTS

DATE : 25/03/2020

REVISION : 0

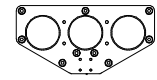
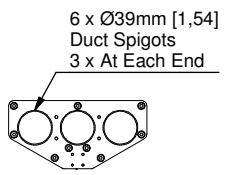
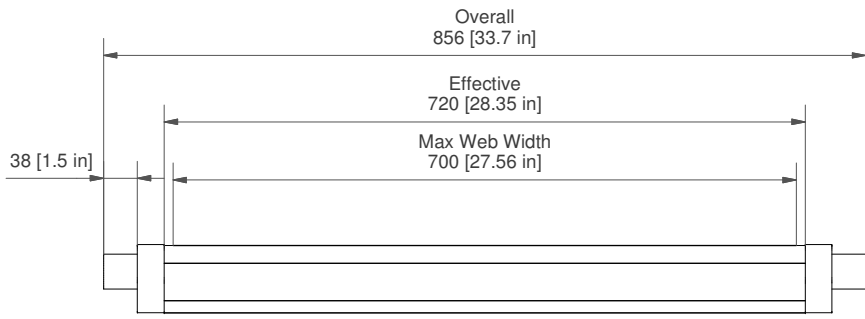
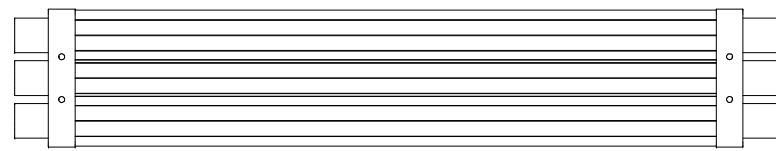
SHEET : 1 / 2

DETAIL : Marketing

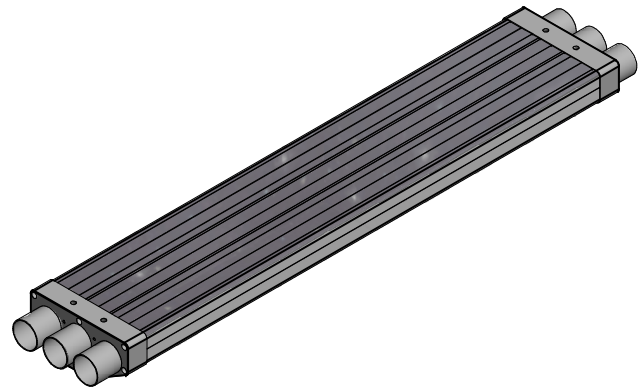
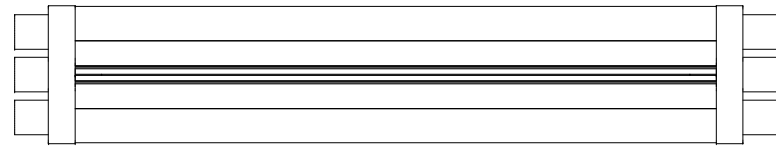
DRAWN BY : Liam Fernley

CHECKED BY : David Hyde

SIGNED OFF BY : David Hyde



Standard Web Direction : Left to Right
Right to Left option available upon request





Meech International
2 Network Point
Range Road, Witney
OX29 0YN, UK
Tel: +44 (0) 1993 706700
Fax: +44 (0) 1993 778977
email: sales@meech.com
web: www.meech.com

'Meech International' is a trading style
of Meech Static Eliminators Ltd

TITLE : CyClean R, 0601-0700 Web Width,
No AHU, End Feed, Fixed, Single
Sided

DRAWING NO:
ACR-0700-0EFS-01

MATERIAL :
Various

FINISH :
Various

TOLERANCE UNLESS OTHERWISE SPECIFIED
Machined Work Metric $\pm 0.1\text{mm}$
Unmachined Fabrications $\pm 1\text{mm}$
Angular $\pm 0^{\circ}30'$

DIMENSIONS IN MM DO NOT SCALE
CRITICAL TO FUNCTION (CTF)
DIMENSIONS AS MARKED

PROJECTION	SHEET	SCALE
	A3	NTS

DATE : 25/03/2020

REVISION : 0

SHEET : 2 / 2

DETAIL : Marketing

DRAWN BY : Liam Fernley

CHECKED BY : David Hyde

SIGNED OFF BY : David Hyde

